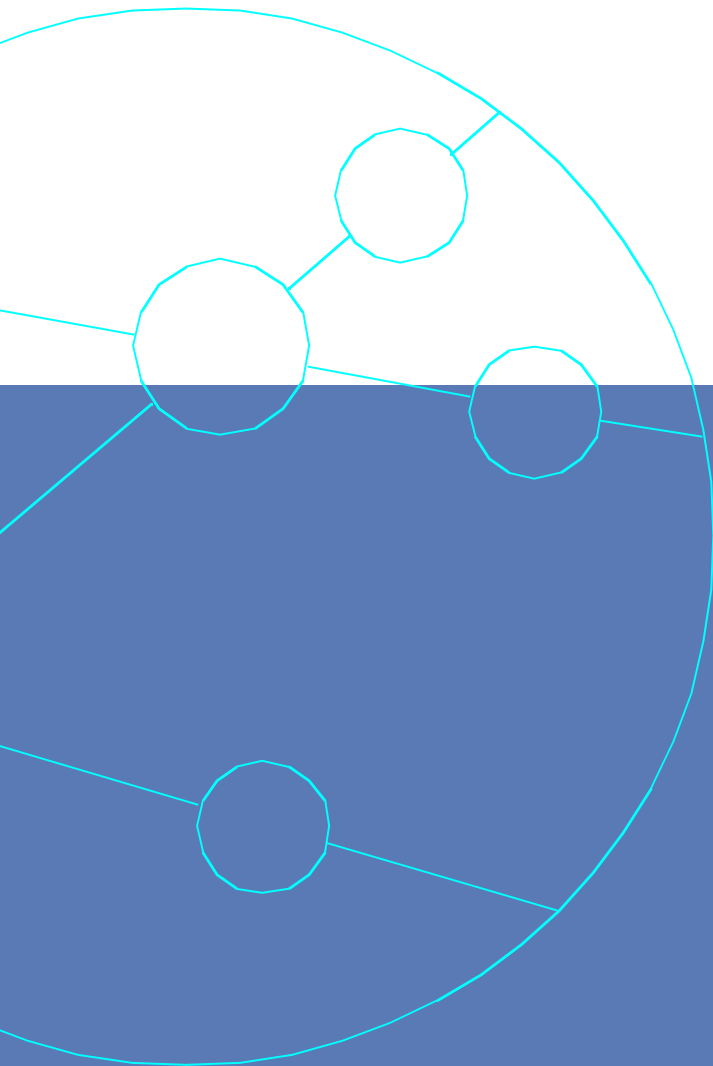


Testing IP and X.25 LAPB over ISDN with Duet

With a dramatic increase in the number of Internet Service Providers providing Internet connections into the local point-of-presence via the ISDN, it is becoming the responsibility of the network operator to identify connection problems over the ISDN link.

Application Note ANDUET_6



Testing the World's Digital Networks

TrendCommunications

TESTING IP AND X.25 LAPB OVER ISDN.

Isolating ISP connection problems - B-channel monitoring on the auroraDuet

With a dramatic increase in the number of Internet Service Providers providing Internet connections into the local point-of-presence via the ISDN, it is becoming the responsibility of the network operator to identify connection problems over the ISDN link. Common problems include failure to initiate Layer 3 protocols and above such as Internet Protocol and IP routing problems.

It is possible to connect the auroraDuet to the basic or primary rate ISDN line and monitor the PPP link initialisation and management messaging and decode IP traffic on the B-channels. This will provide an instant view of any failed PPP transport layer failures and provide a full on-screen decode of the IP header information including source and destination addresses.

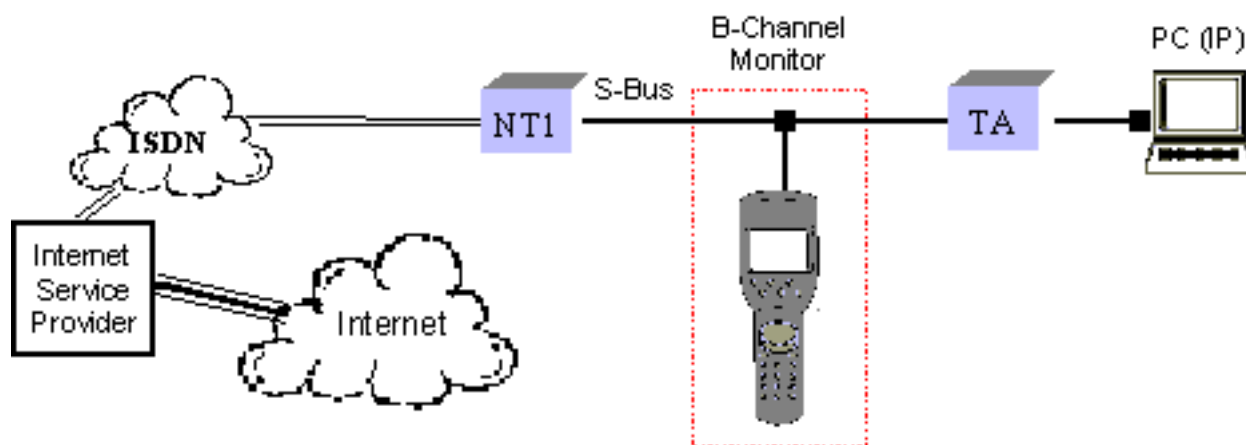
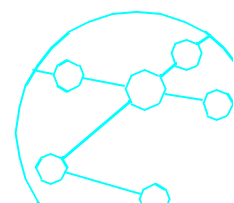


Figure 1

B-channel monitor test configuration.

A complete list of PPP and IP decode functionality is available on request



Trouble-shooting B-channel X.25 calls - LAPB X.25 monitoring on auroraDuet

With the growth of semi- permanent X.25 circuits over ISDN interfaces, it is increasingly difficult to observe and verify user traffic contained in the B-channels. This leads to the need to connect expensive analysers to monitor X.25 traffic directly at the DTE or at the packet handler.

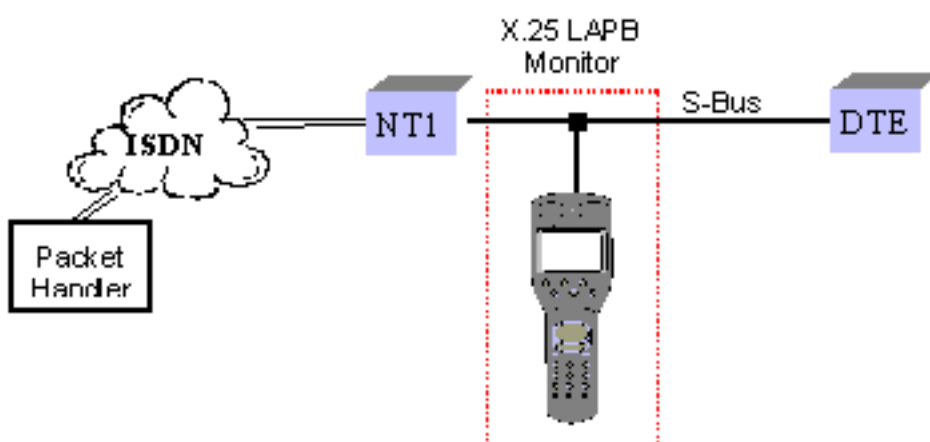
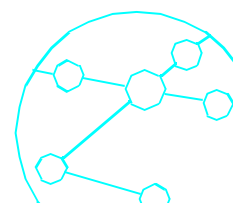


Figure 2

The auroraDuet will allow LAPB X.25 modulo 8 or 128 to be decoded on-screen directly from the B-channel along on BRI or PRI.

Coupled with the additional ability to simulate this traffic. The auroraDuet tester provides an integrated solution to testing ISDN B-channel X.25

The software functionality detailed above is available in the latest release of auroraDuet software. Please contact your Local Vendor or the Trend Communications Ltd Customer Support Hotline (tel: +44 1628 851085) for further information.





TrendCommunications

Trend Communications Ltd
Knaves Beech Estate
Loudwater, High Wycombe
Bucks HP10 9QZ UK
www.trendcomms.com
info@trendcomms.com

Trend Communications SL
Pujades, 60
08005 Barcelona
(Spain)

International: +44 1628 524977
España:..... 93 300 3313
Deutschland: 089 32 30 09 11
US: 256 461 0790

UK:..... 01628 524977
France: 01 69 35 54 70
India:..... 22 8597 463/4