

AuroraSonata



TrendCommunications

International	+44 (0)1628 524977
United Kingdom	01628 524977
France	01 69 35 54 70
Germany	089 32 30 09 30
North and South America	256 461 0790
Spain	93 300 3313
India	022 8521059
Email	Infoline@trendcomms.com
Web	www.trendcomms.com

ISDN

Hand-held testing for Primary & Basic Rate ISDN



TrendCommunications

AuroraSonata

- Available in 3 versions:
 - Basic Rate only
 - Primary Rate only
 - Combined Basic & Primary Rate
- POTS testing option
- Designed for field use
- User friendly – menu system & ISDN test suites
- Modular & flexible to support any test application
- Tests at all points in the local loop

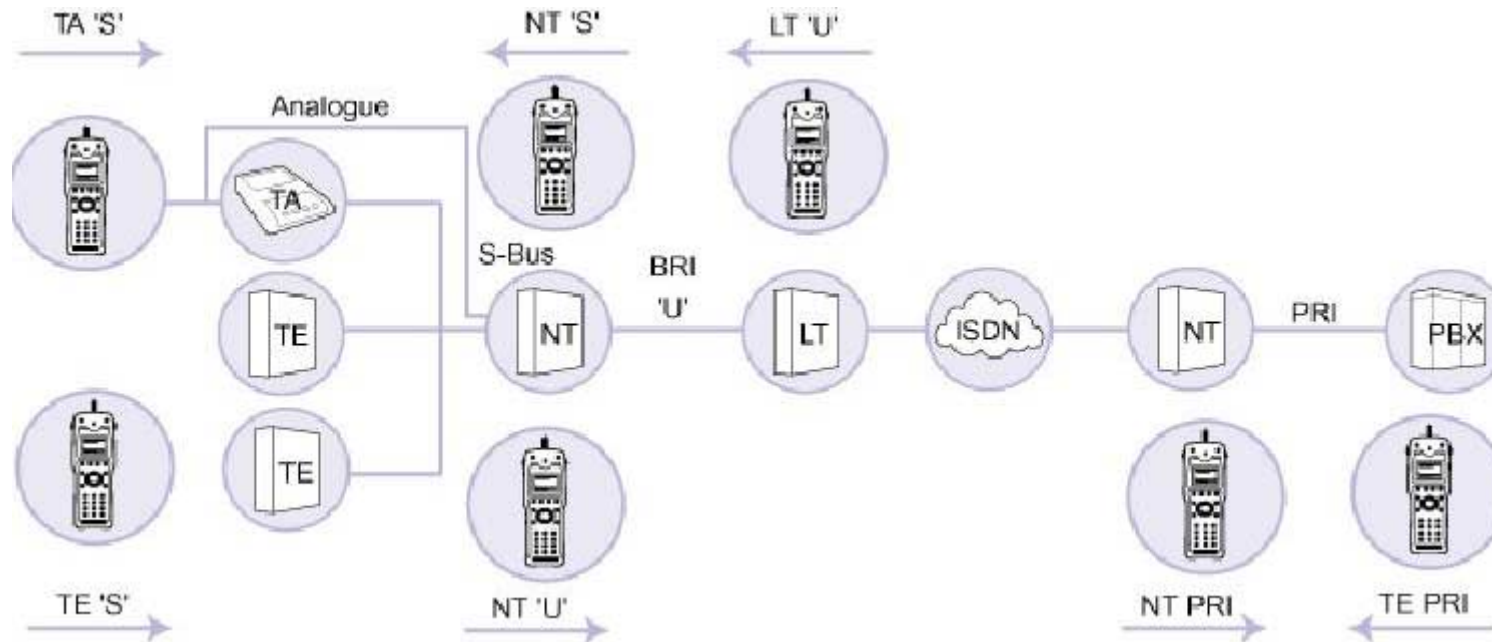


AuroraSonata

- Ruggedised construction with belt hook
- Designed for outdoor use
- Hands free operation
- Charger and RS232 sockets protected against moisture and dust ingress
- Line interfaces at bottom of unit to protect against water ingress when used outside
- Windowed operation
- Real-time decode window
- 4 soft keys to access features



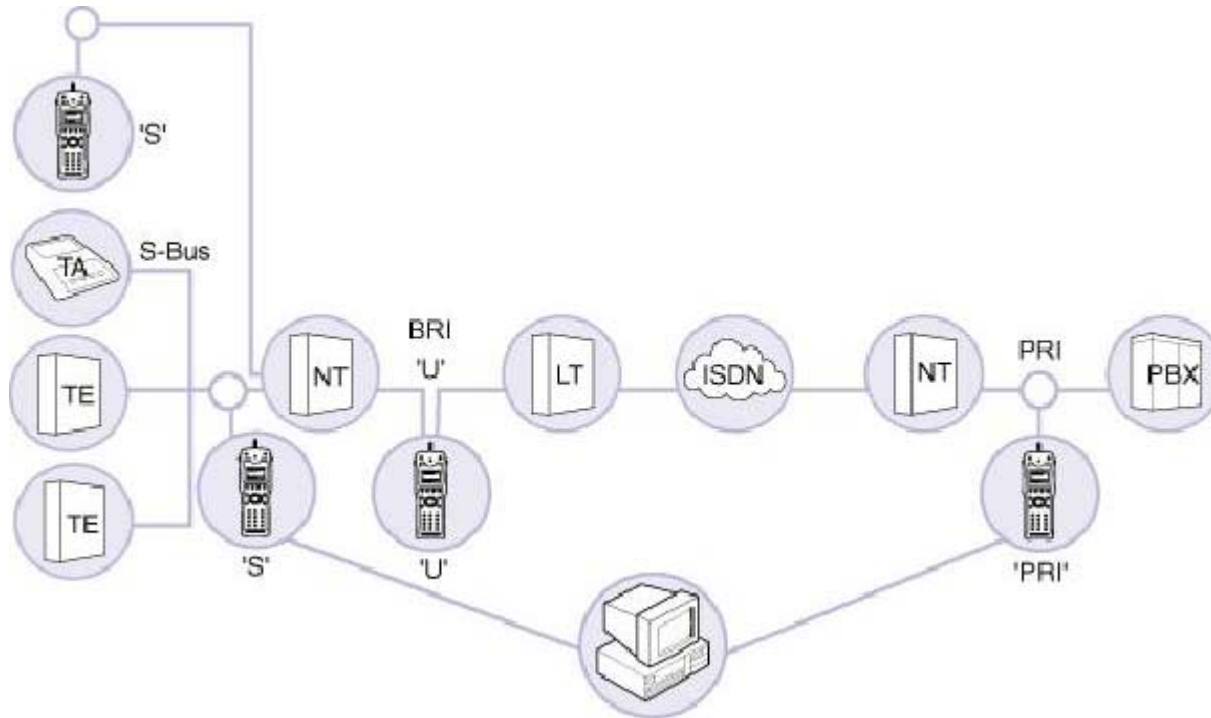
AuroraSonata *Where do you want to test today?*



- TE, NT, LT simulation mode on BRI 'S/T' or 'U' reference points
- TE, NT simulation mode on PRI
- Unique 'one button' tests verify Channel and Service provisioning
- Traffic generation: Outgoing and repeatable Full Channel tests on PRI



AuroraSonata *Where do you want to test today?*



- Multi-channel BERT generation and loop functionality (30 & 31 x 64 kbit/s)
- Monitor B-Channel with PPP and IP Protocol decode and D-Channel signalling
- Display D-Channel decode on-screen in real time
- Save data for subsequent analysis with **AuroraExpert**

